

# Carpentry Pre-Competition Activity

## Instructions for the competitor

### 1. Drawing and setting out

- set out the necessary members on the board provided, the drawing will be marked but no need to inform the judges when complete.

### 2. Internal joints

- joints may be fitted but not assembled until the internal joints have been marked
- before assembly (after all cuts are made), place all the members on your bench and inform the judges when all your internal joints are ready for assessment.

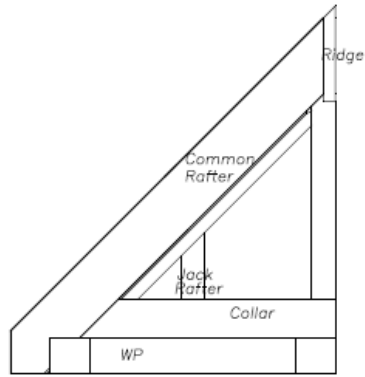
### 3. Assembly

- assemble the project using screws/nails (no glue)
- take care to attach pieces securely and accurately, most of the marks are awarded for accuracy and tight joints
- do not use sandpaper to finish
- inform the judges when completed.

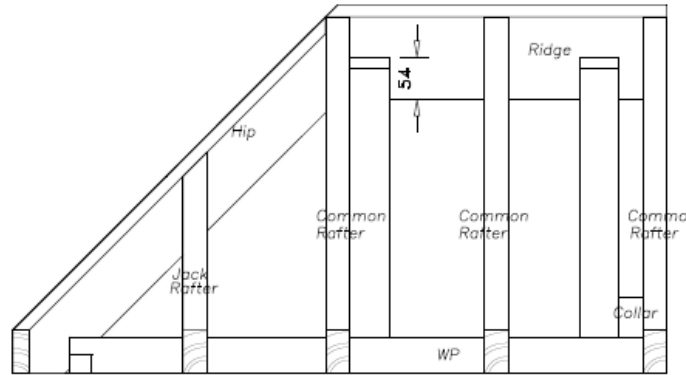
## Marking scheme

Marks for the competition will be allocated as follows.

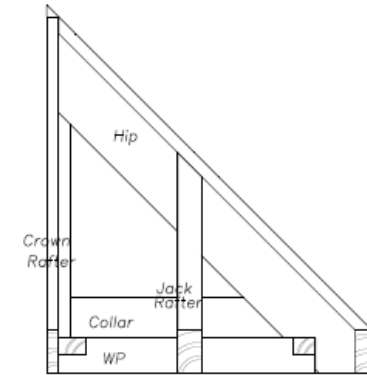
Activity	Maximum score
Health and safety	3
Project completion	8
Additional materials	0
Drawing and setting out	10
Internal joints	10
Dimensions	35
External joints	34
Total	100



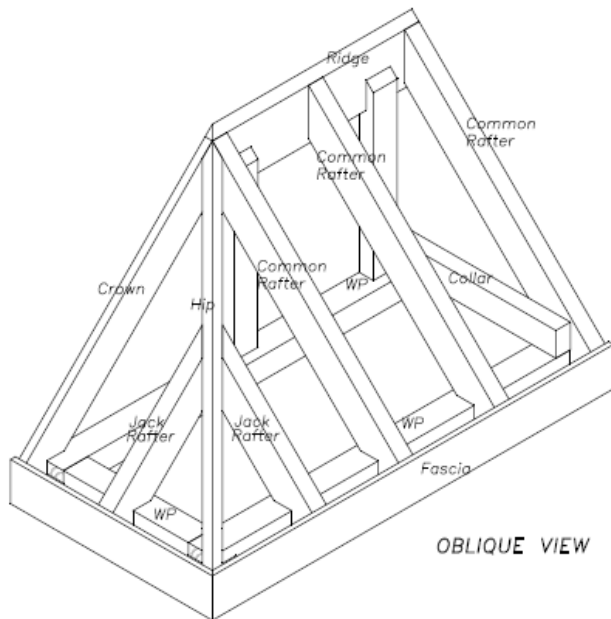
END ELEVATION



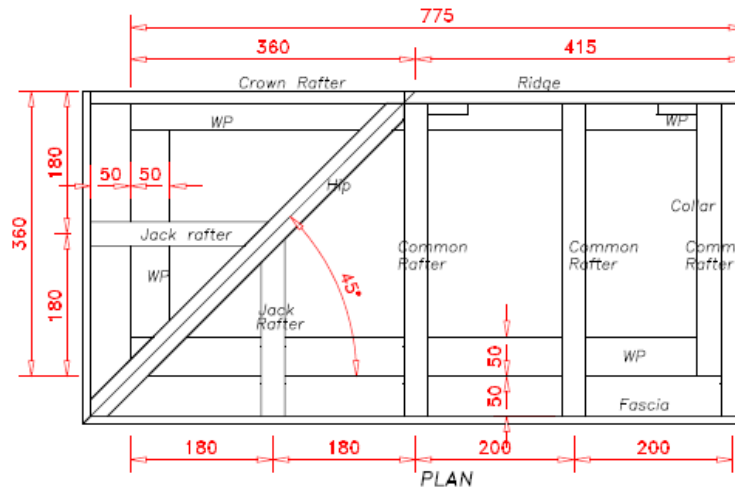
ELEVATION



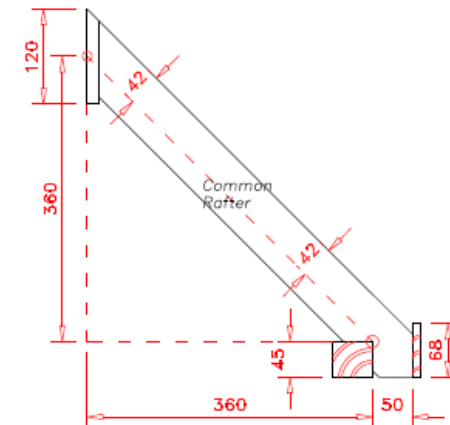
END ELEVATION



OBLIQUE VIEW



PLAN

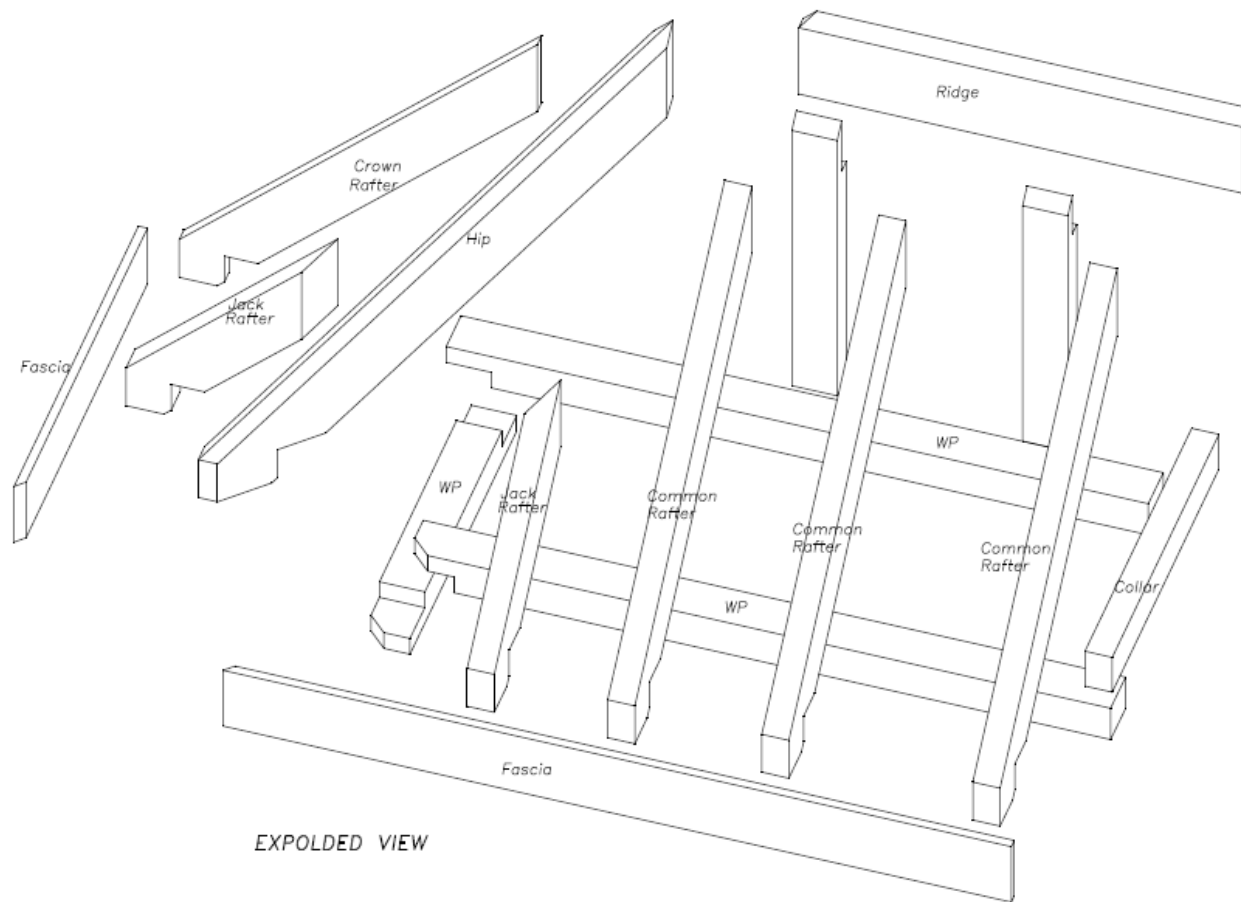


Common Rafter Details

Cutting list

Member	No	Length	Width	Thickness
Wallplates (WP)	2	800	50	45
Wallplates (WP)	1	400	50	45
Common rafters	3	700	68	30
Jack rafters	2	450	68	30
Collar	1	400	68	30
Crown rafter	1	700	68	15
Hip rafter	1	900	90	30
Ridge	1	500	120	15
Posts	2	500	50	30
Fascia	1	850	68	10
Fascia	1	450	68	10

SkillBuild 2019 Regional Qualifier  
 Carpentry  
 SB-401/10-CAR  
 Date 18.01.2019  
 Page 1 of 2



SkillBuild 2019 Regional Qualifier  
Carpentry  
SB-401/10-CAR  
Date 18.01.2019  
Page 2 of 2