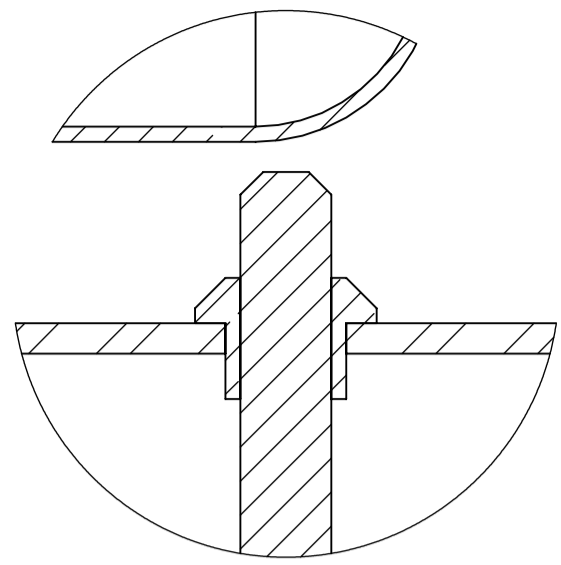
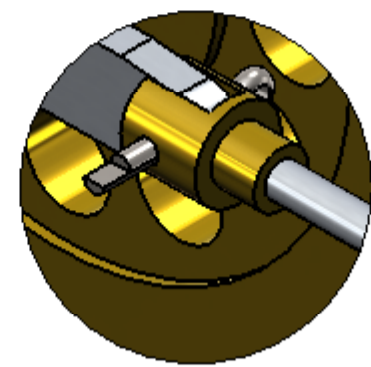


DETAIL F
SCALE 2:1



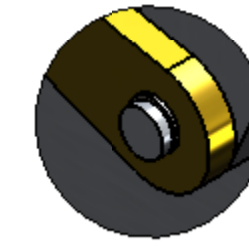
DETAIL E
SCALE 2:1



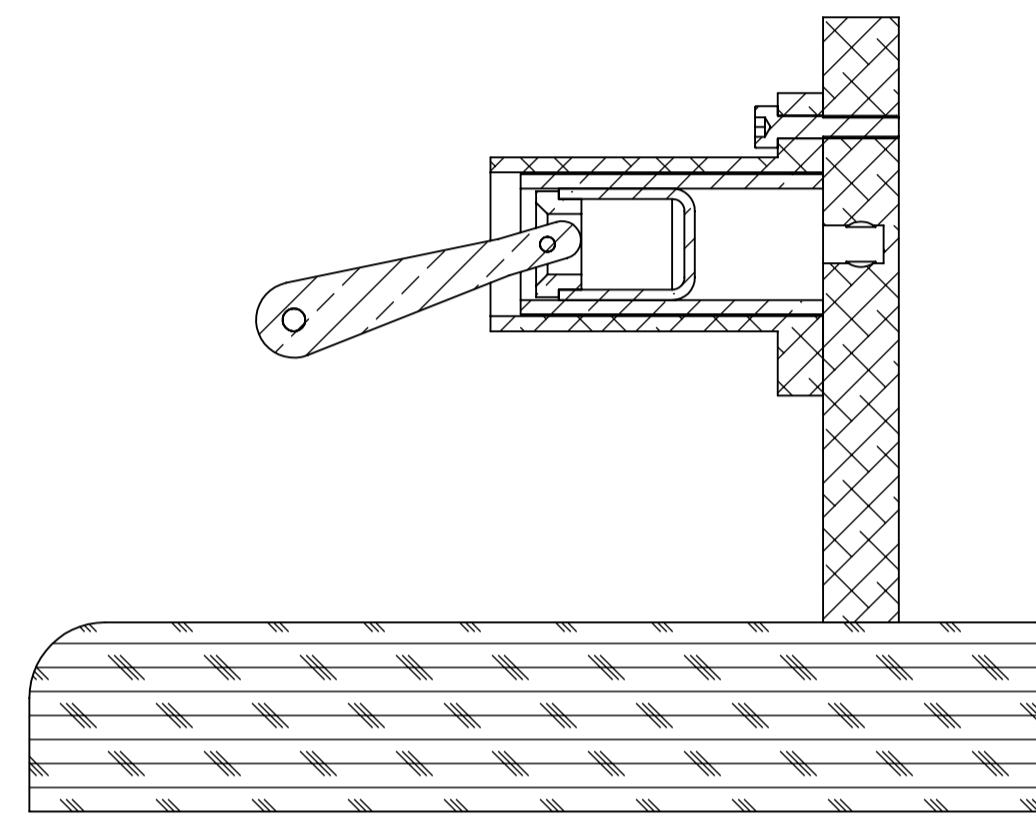
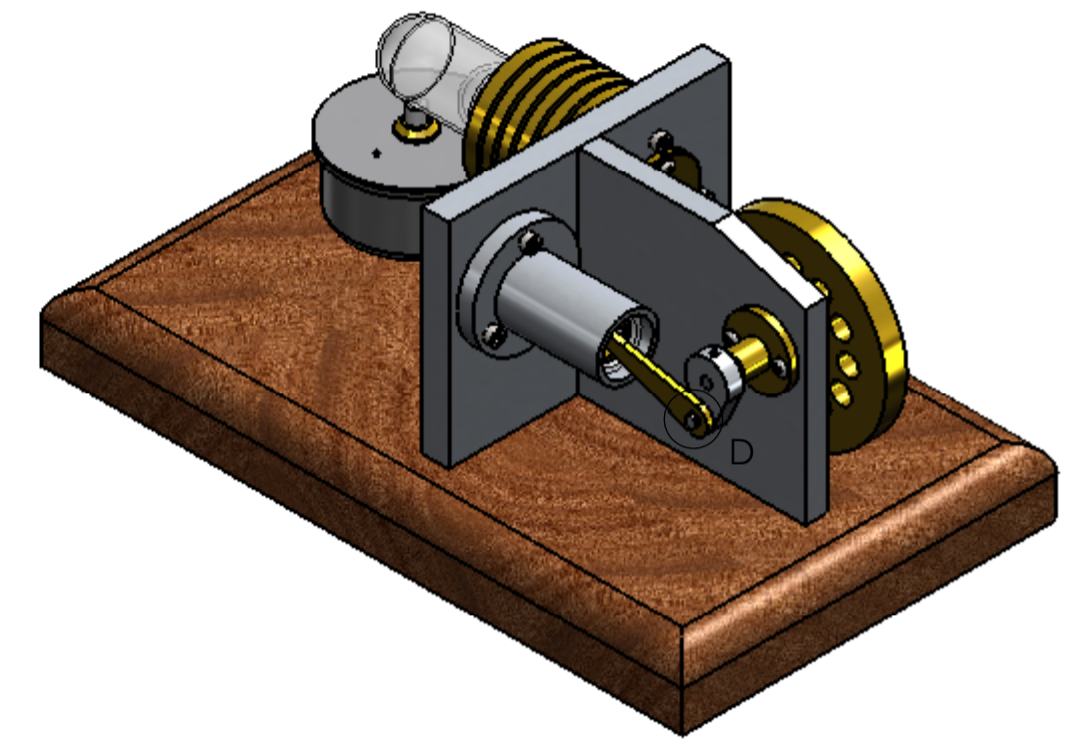
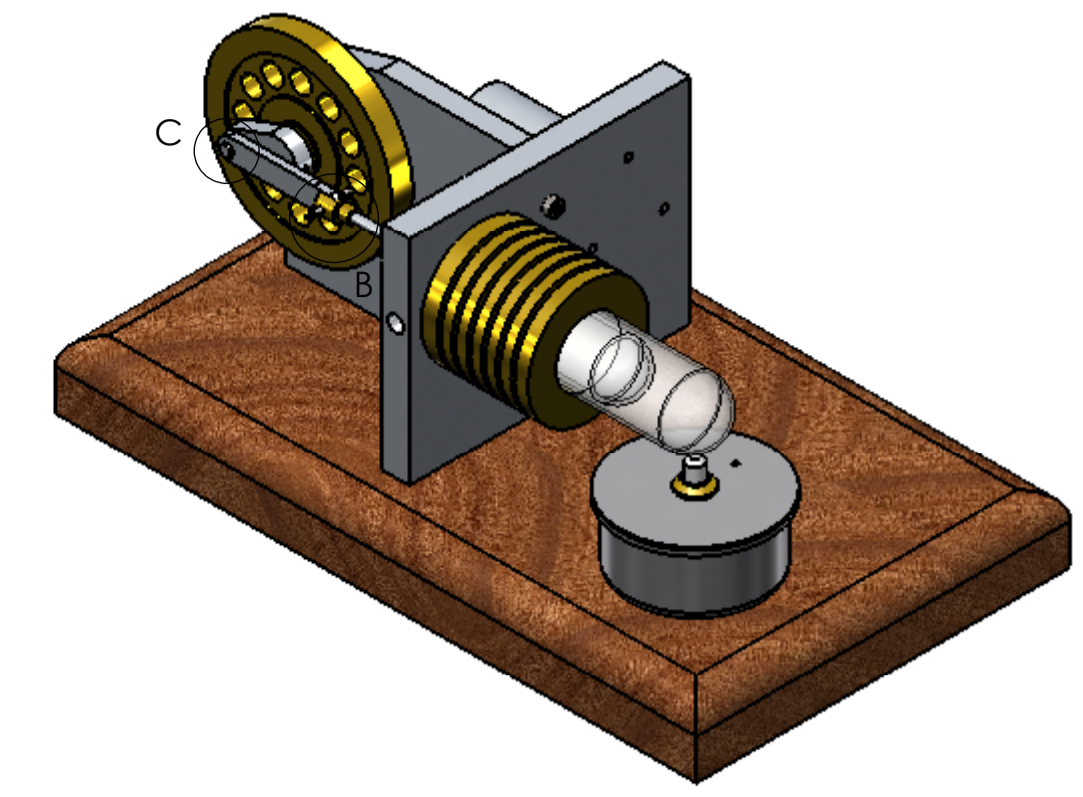
DETAIL B
SCALE 2:1



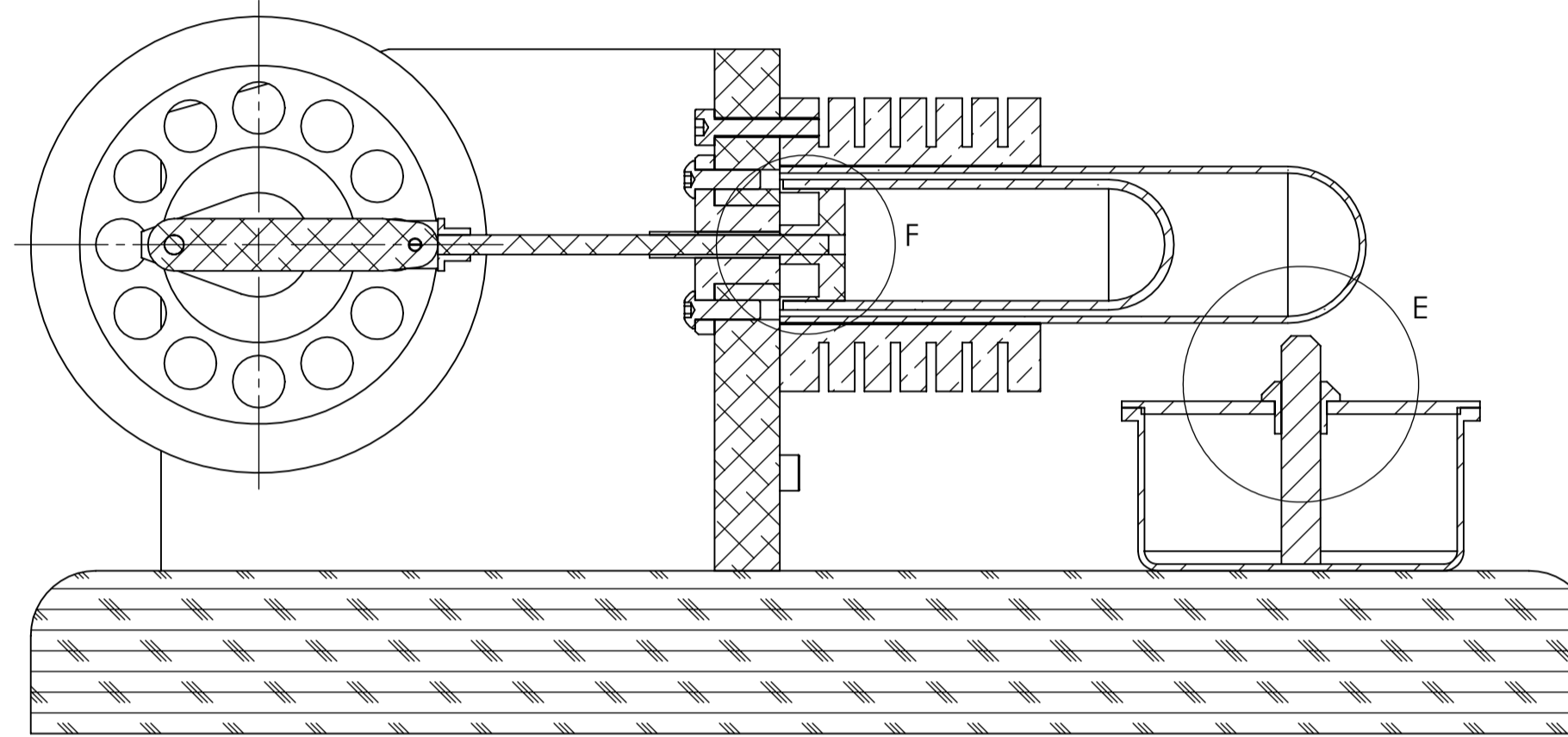
DETAIL C
SCALE 2:1



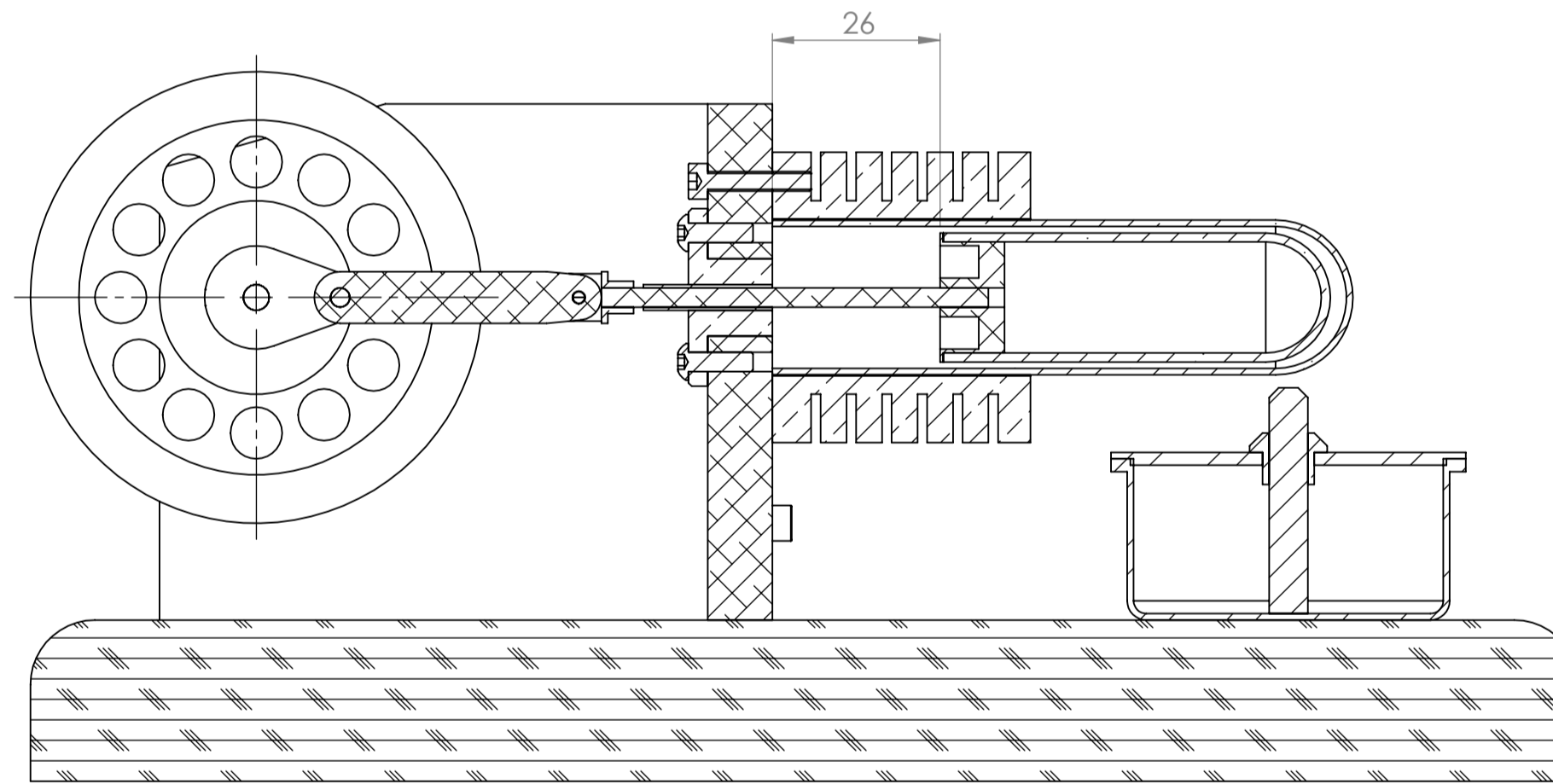
DETAIL D
SCALE 2:1



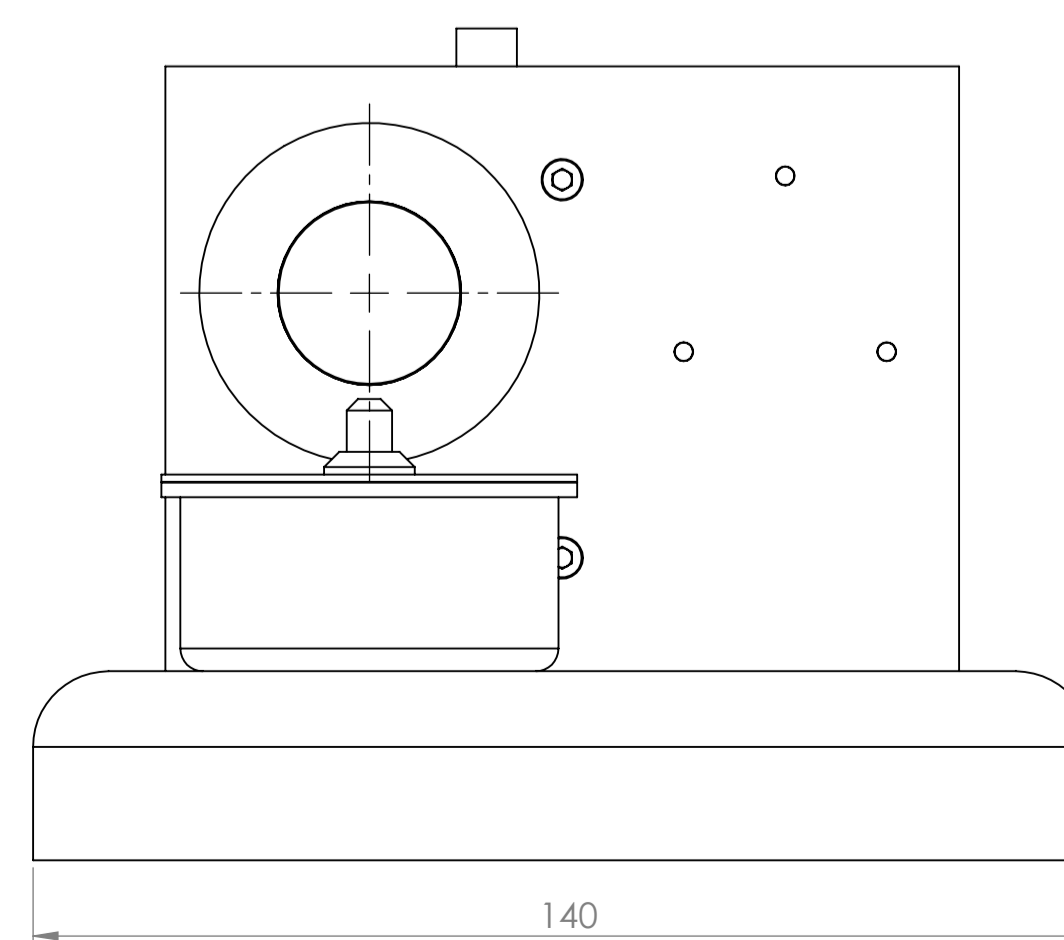
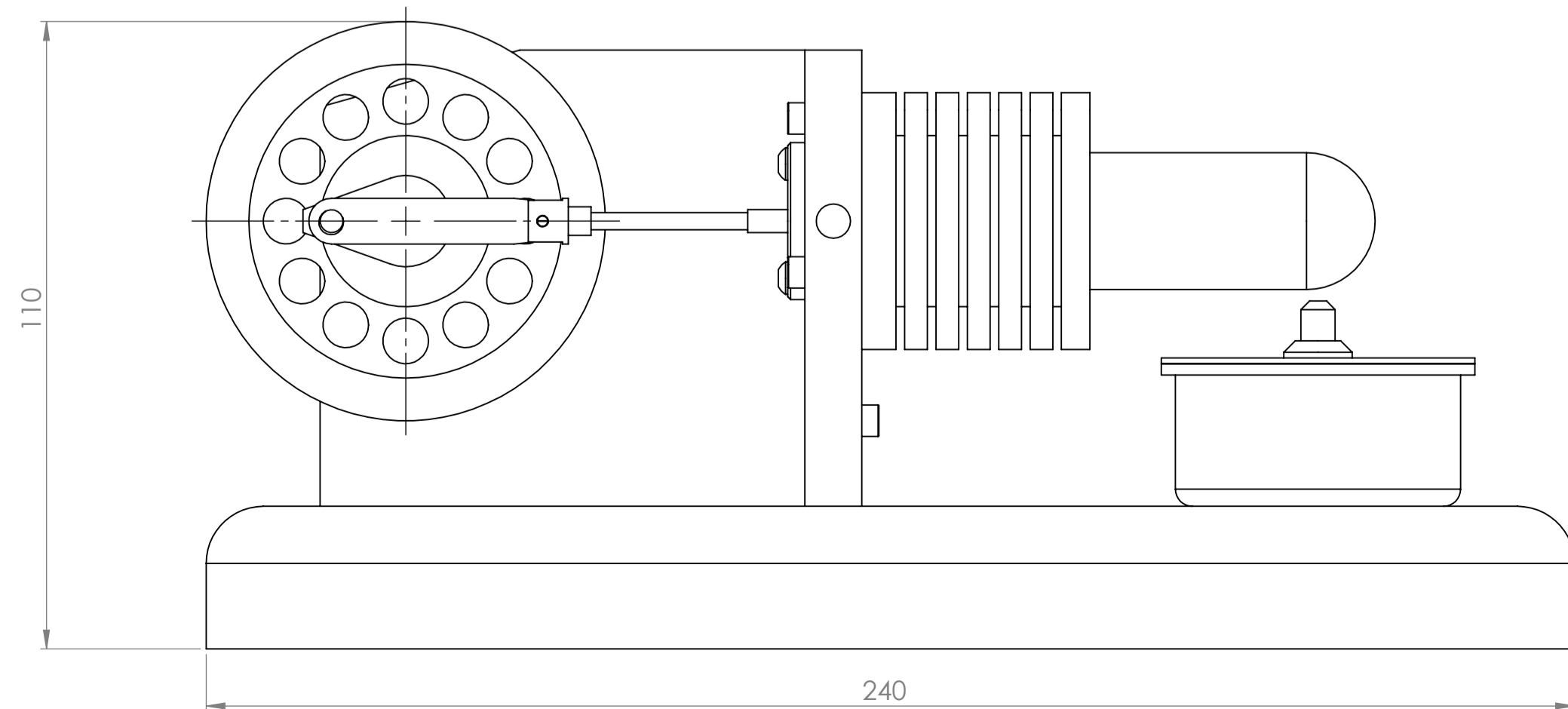
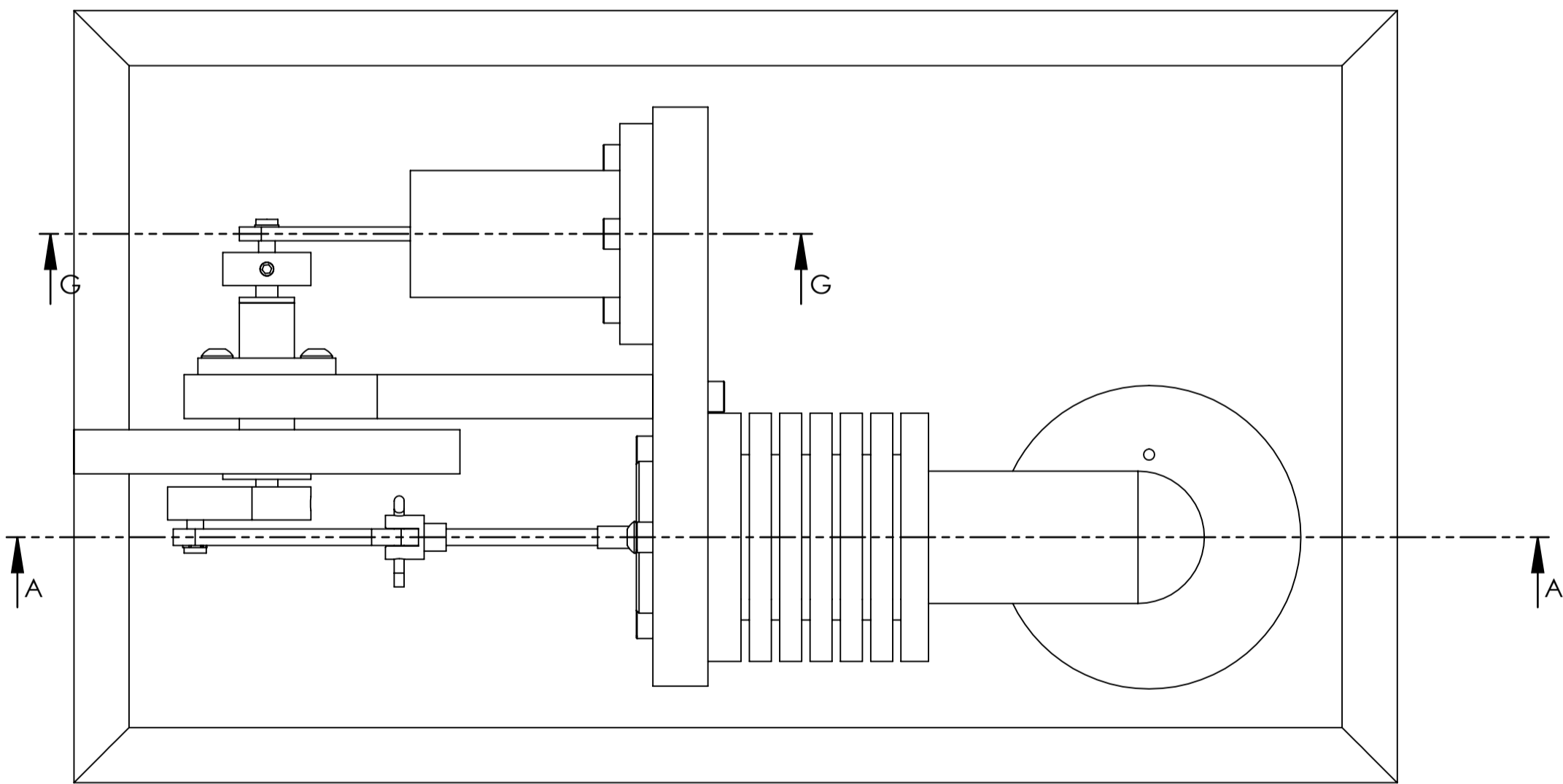
SECTION G-G



SECTION A-A



ALTERNATIVE POSITION VIEW



ITEM NO.	PART NUMBER	MATERIAL	QTY.
1	Base	Mahogany	1
2	Cylinder Plate	6061 Alloy	1
3	ISO 4762 M4 x 35 --- 20N		3
4	Piston Supprt Plate	6061 Alloy	1
5	Displacer Guide	Brass	1
6	ISO 7380 - M3 x 10 -- - 10N		4
7	Tube	ABS PC	1
8	Displacer Shaft	6061 Alloy	1
9	Guide Rod Connector	Brass	1
10	Displacer	Glass	1
11	Displacer Cap	6061 Alloy	1
12	Cooling Cylinder	Brass	1
13	Displacer Body	Glass	1
14	Displacer Body Sleeve	Rubber	1
15	ISO 4762 M3 x 16 --- 16N		8
16	Wheel Support	Brass	1
17	Wheel	Brass	1
18	Axle Bush	Brass	1
19	Axle Shaft	6061 Alloy	1
20	Axle Bush Plunger Side	Brass	1
21	Axle Crankpin	6061 Alloy	1
22	Displacer Crankpin	6061 Alloy	1
23	ISO 4027 - M3 x 5-N		2
24	Axle Pin	6061 Alloy	2
25	Displacer Connecting Rod	6061 Alloy	1
26	Truarc 5103-12		2
27	Exterior Body of Cylinder	6061 Alloy	1
28	Glass Syringe Body	Glass	1
29	Glass Piston Body	Glass	1
30	Plunger Collar	Brass	1
31	Plunger Connecting Rod	Brass	1
32	Parallel Pin ISO 8734 - 2 x 14 - A - St		1
33	Pot	6061 Alloy	1
34	Pot Lid	6061 Alloy	1
35	Candle Support	Brass	1
36	Wick	Material <not specified>	1
37	ISO 4027 - M3 x 3-N		2
38	ISO 1234-2x10-F		1

TOLERANCES (UNLESS OTHERWISE STATED):
 FABRICATION ±1.5mm UP TO 1200mm
 FABRICATION ±2.0mm 120mm TO 2000mm
 MACHINING ±0.25mm
 HOLE SIZE ±0.25mm
 ANGULAR ±0.5 DEG
 DO NOT SCALE DRAWING

THIS DRAWING IS THE PROPERTY OF CAD SKILLS UK LTD AND MUST NOT BE COPIED, GIVEN TO THIRD PARTIES, OR ISSUED FOR MANUFACTURE WITHOUT THE WRITTEN CONSENT OF CAD SKILLS UK LTD.
 CAD SKILLS UK LTD, 140F HOUSE, SOMERSET COLLEGE, WELLINGTON ROAD, SAUNTON, SOMERSET, TA1 1AA
 www.cadskillsuk.com

TITLE: Stirling Engine

 SHEET NAME: A1

 UNIT: mm

 SHEET 1 OF 1