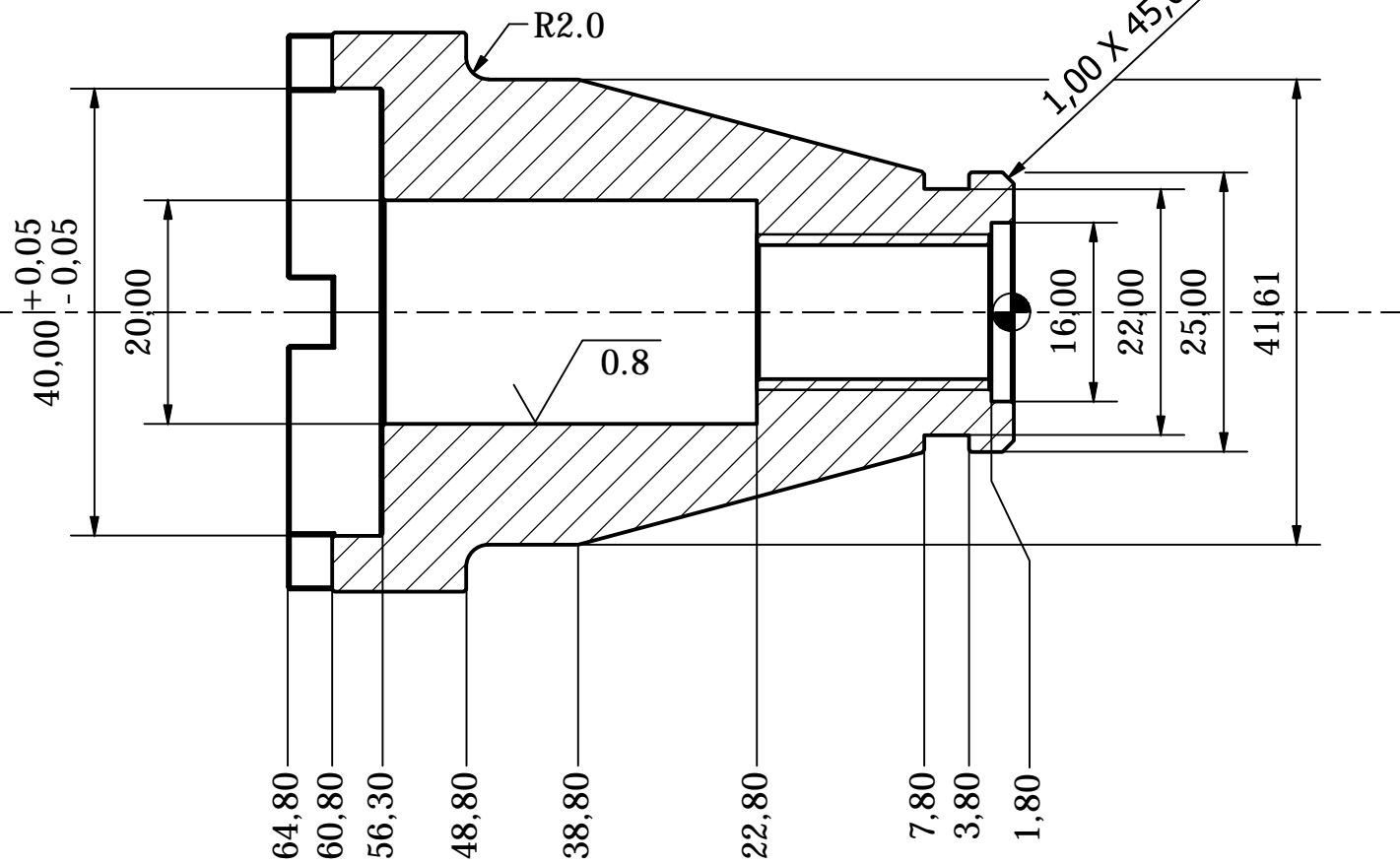
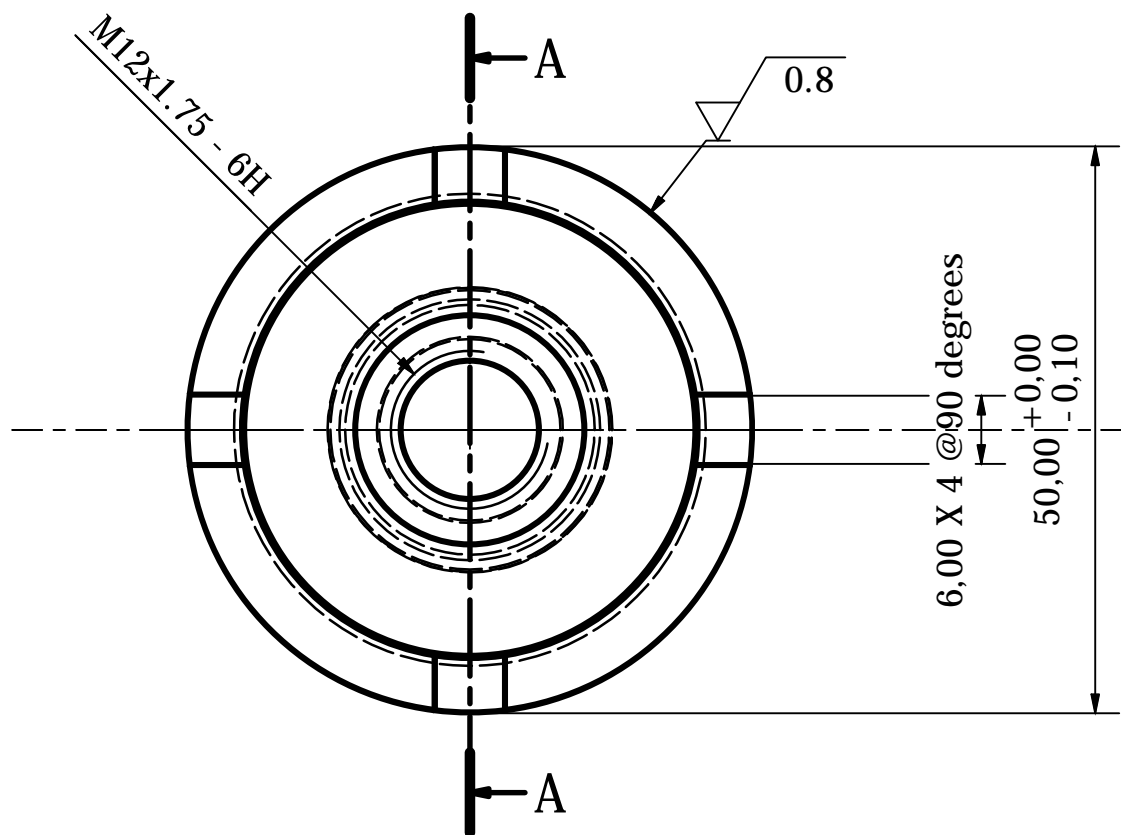
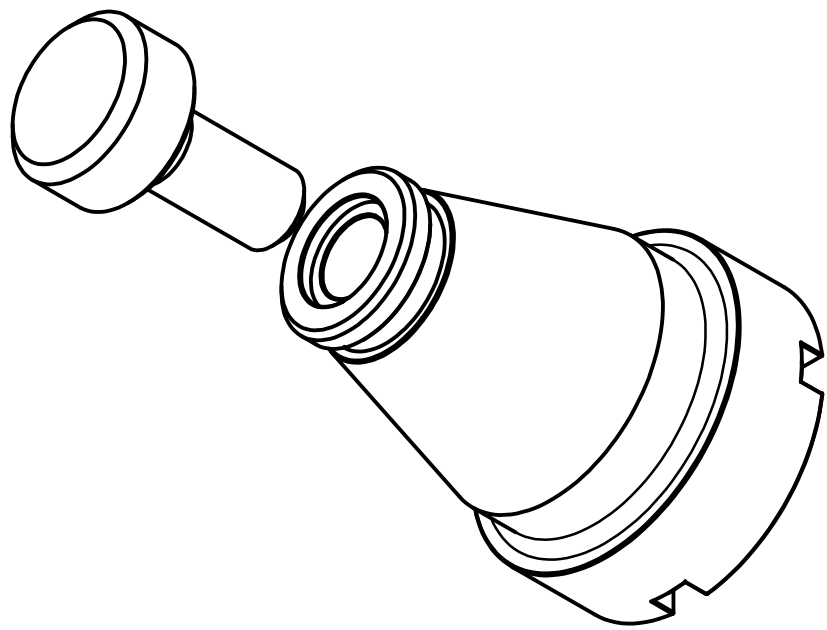
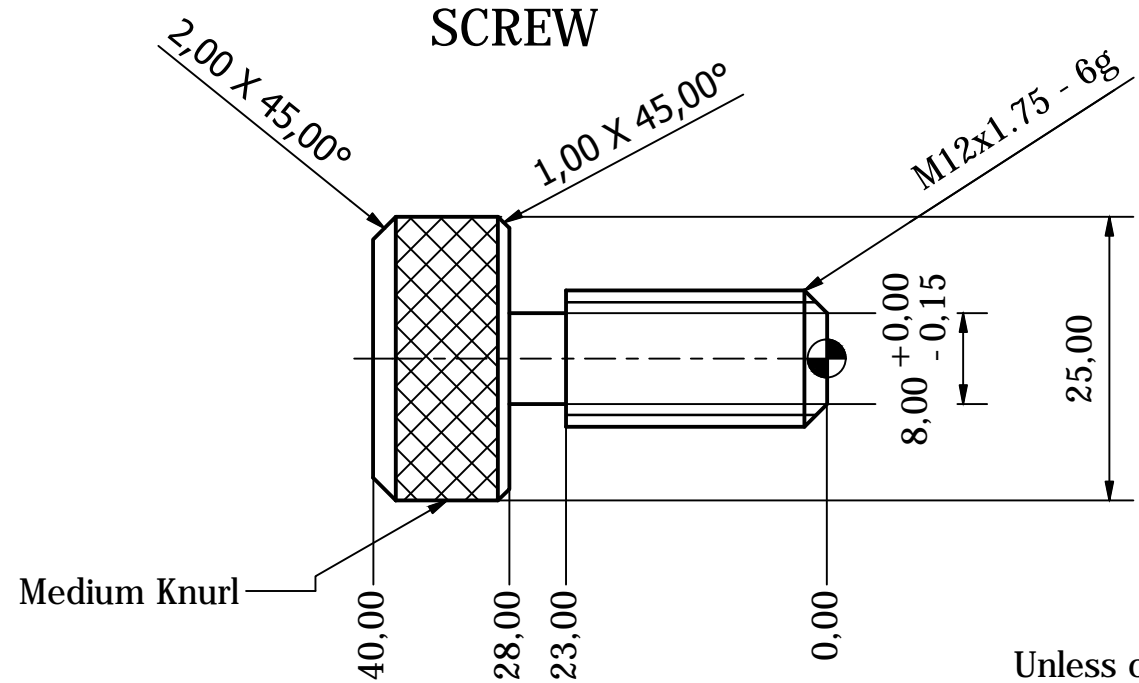


BODY

A-A ( 1.5:1 )



SCREW



Unless otherwise stated:  
 Dimensions are in millimeters.  
 Tolerances:  
 Linear  $\pm 0.10$   
 Angular  $\pm 0.5^\circ$   
 General Surface finish = 1.6ra  
 Deburr and Break all sharp edges 0.2mm



Designed by WorldskillsCNC02	Checked by D Mordue	Approved by I Thompson	Date 16/12/12	Do Not Scale	Date 14/12/2012
---------------------------------	------------------------	---------------------------	------------------	--------------	--------------------

Material: Aluminium or Mild Steel

Passive heat 2013	Edition 1	Sheet 1 / 1
-------------------	--------------	----------------

PRODUCED BY AN AUTODESK EDUCATIONAL PRODUCT

PRODUCED BY AN AUTODESK EDUCATIONAL PRODUCT