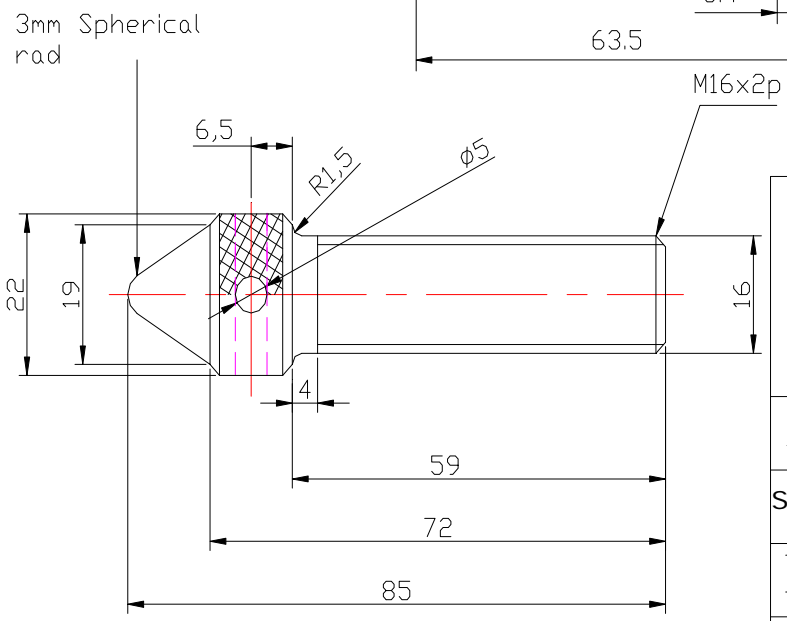


Tolerance: - x.x +/- .05



WORLD SKILLS UK SKILLS REGIONAL HEAT 2010		
Skill: CNC TURNING		
SCALE: - N/A	DATE: - 14/9/10	
DRAWN BY RDP		DRAWING No
SCREW JACK		Matl:- BDMS Tol:- +/- .25