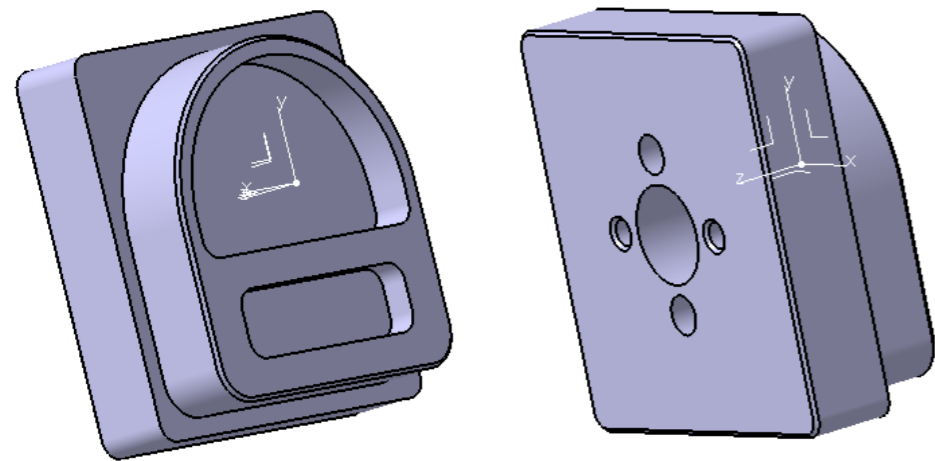
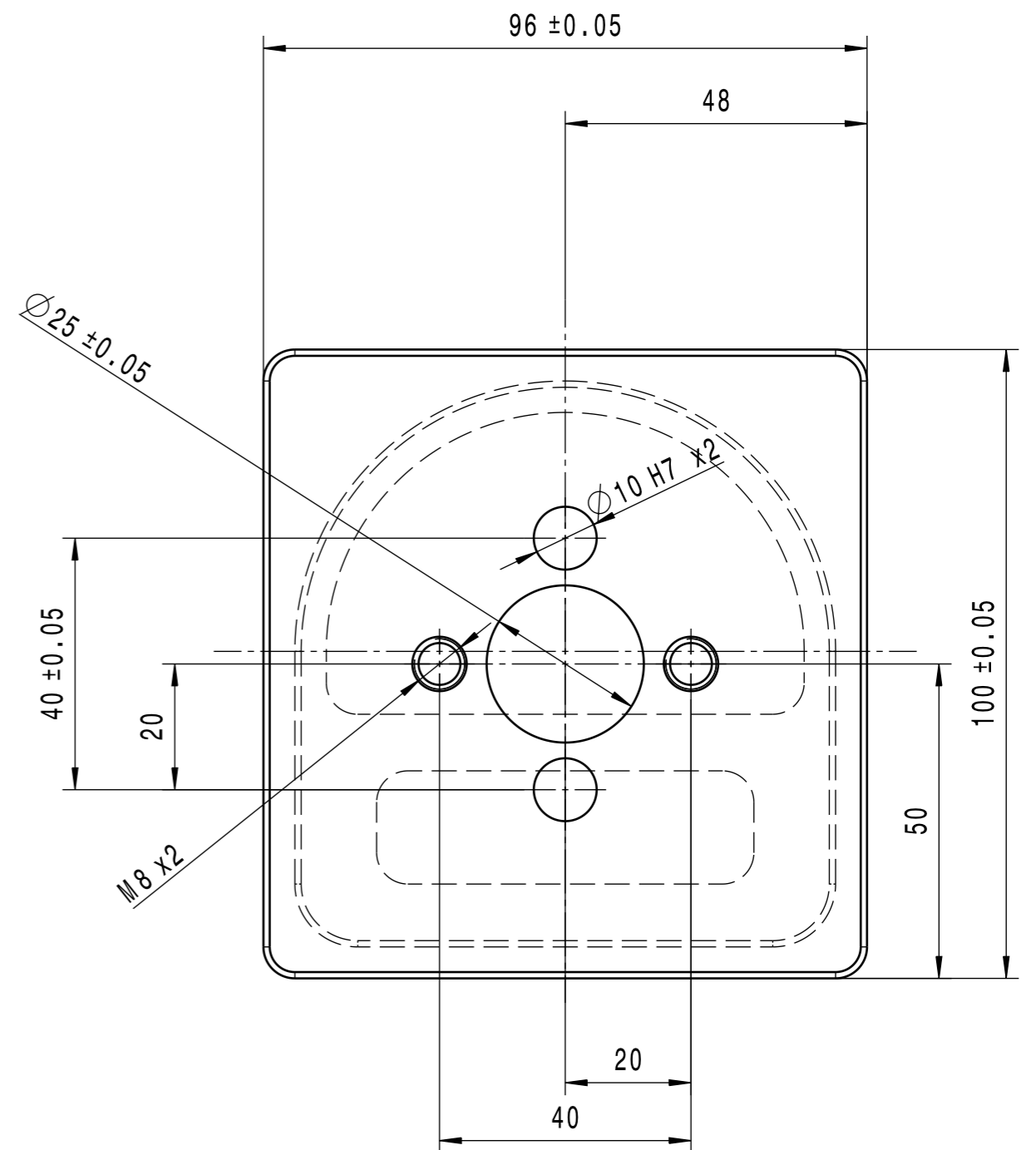


Section view A-A
Scale: 1:1





NOTE:
BREAK ALL SHARP EDGES
gEN.TOL. +/- 0.1

10 H7 10
10.015

✓ Ra 1.6

NATIONAL HEATS 2010



Skill: CNC MILLING			 
Scale: 1:2	Date: MARCH 09	Paper: A3	
Drawn/Design by: AMc/EN			Drawing No:
Description: Project 1			Rev: Page: